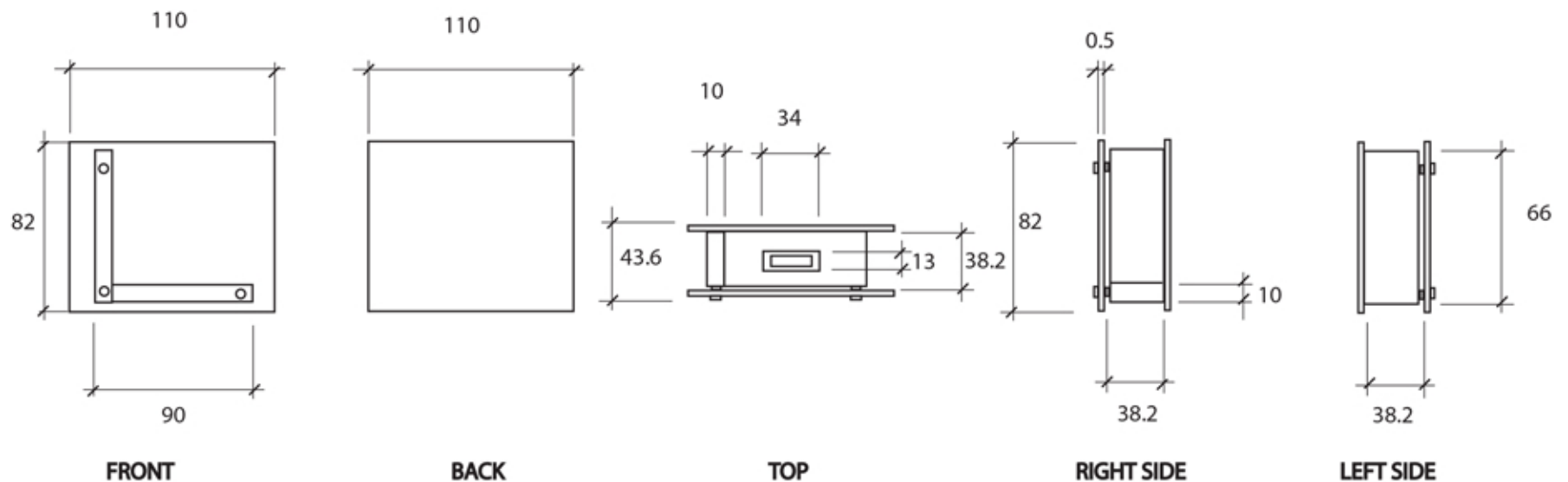




STATIC

12,000BTU or 3.5Kw/h (heats on average 40m² or 430ft²)
Stainless Steel Construction
10mm Tempered Glass
13" Burner
(INQUIRE ABOUT CUSTOM SIZE OR COLOR)

H 28.3" (720mm) W 47.2" (1200mm) D 17.3" (440mm)



*Dimensions may vary by 2% (plus or minus) due to material attributes. Template not provided.
The Bio Flame recommends using the actual fireplace or burner model when making final cut out.