



ROGUE 2.0

17,000BTU – 5.0Kw/h (heats on average 69m2 or 742ft2)

Stainless Steel Construction

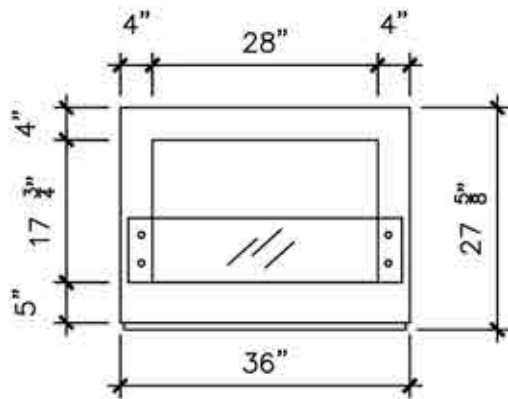
Brushed Stainless Steel Internal Framing

8mm Tempered Glass On Both Sides

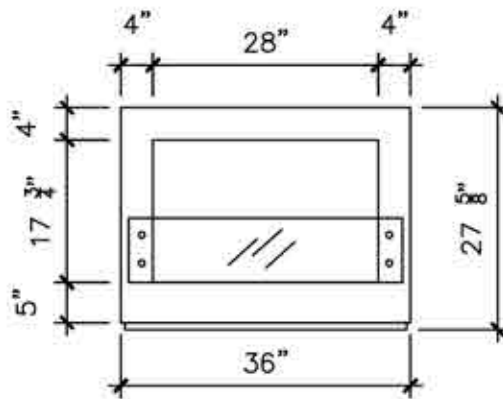
16" Burner

(INQUIRE ABOUT CUSTOM SIZE OR COLOR)

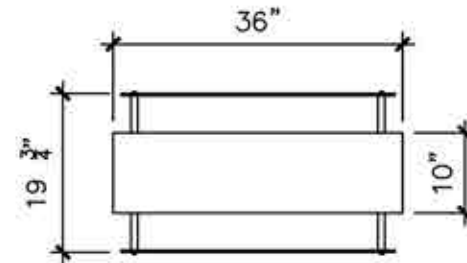
H 27.6" (701mm) W 36.0" (914mm) D 19.8" (503mm)



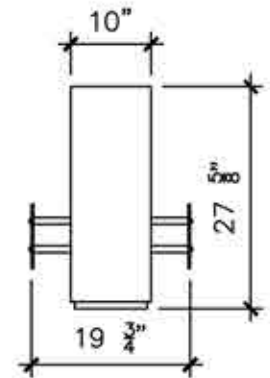
FRONT



BACK



TOP



SIDE

*Dimensions may vary by 2% (plus or minus) due to material attributes. Template not provided.
The Bio Flame recommends using the actual fireplace or burner model when making final cut out.