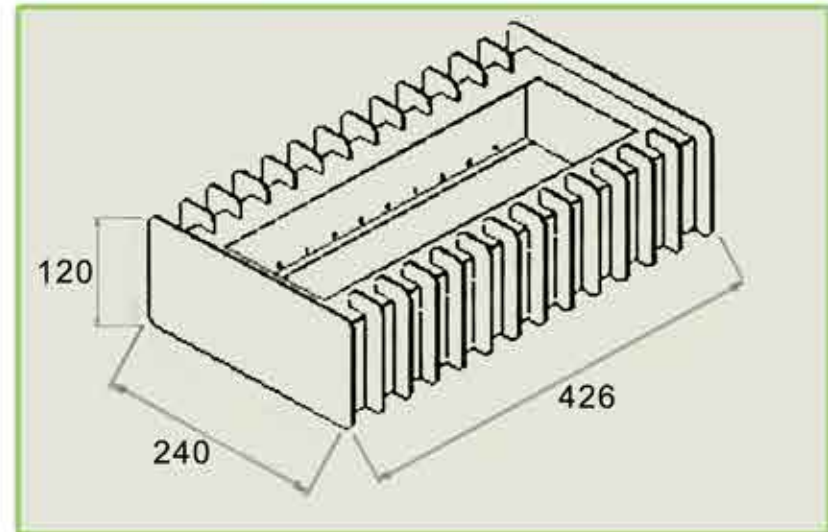




GRATE KIT BURNER 16"

17,000BTU – 5.0Kw/h (heats on average 69m² or 742ft²)
304 Stainless Steel Construction
Insulated Bottom Tray
3.5L Fuel Capacity

H 4.7" (120mm) W 16.8" (426mm) D 9.4" (240mm)



*Dimensions may vary by 2% (plus or minus) due to material attributes. Template not provided.
The Bio Flame recommends using the actual fireplace or burner model when making final cut out.