



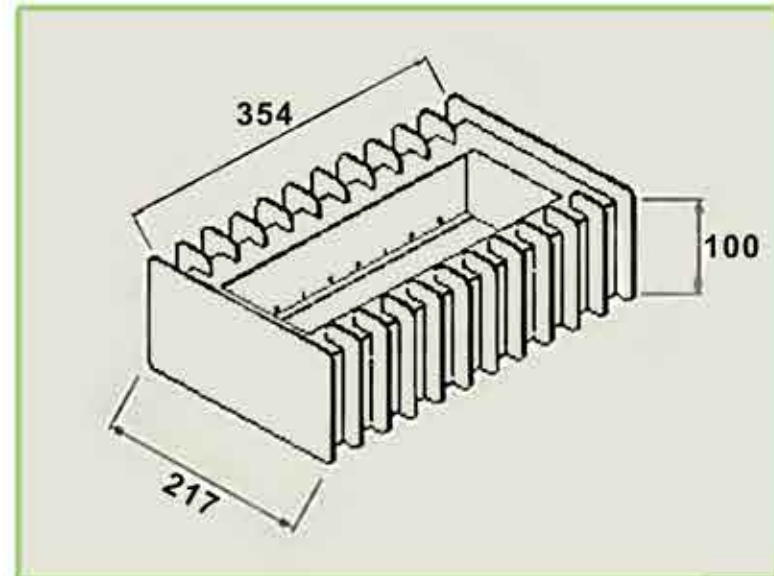
GRATE KIT BURNER 13"

12,000BTU or 3.5Kw/h (heats on average 40m2 or 430ft2)

304 Stainless Steel Construction

2.0L Fuel Capacity

H 3.9" (100mm) W 13.937" (354mm) D 8.5" (217mm)



*Dimensions may vary by 2% (plus or minus) due to material attributes. Template not provided.
The Bio Flame recommends using the actual fireplace or burner model when making final cut out.