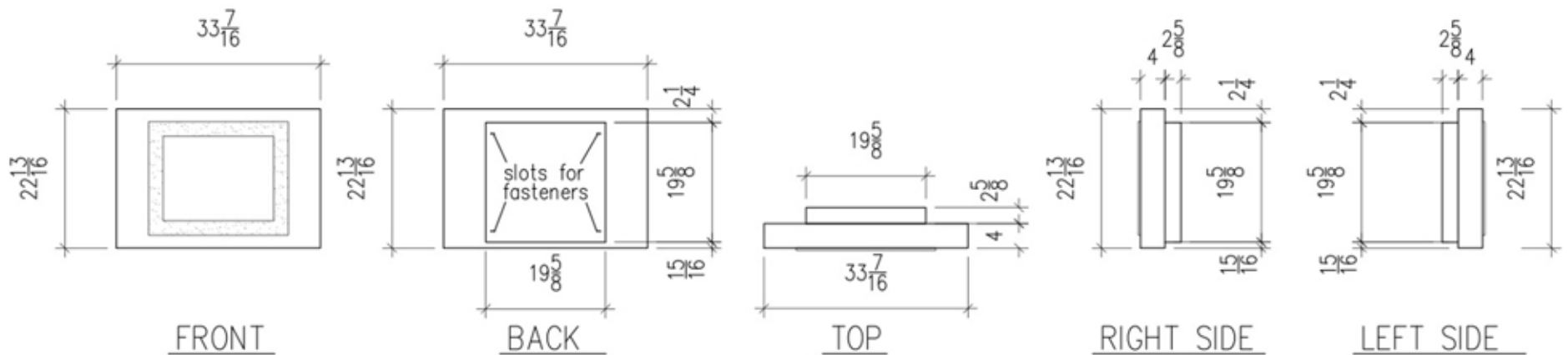




FIORENZO

12,000BTU or 3.5Kw/h (heats on average 40m2 or 430ft2)
 Stainless Steel Firebox Construction
 Brushed Stainless Steel Fascia
 13" Burner
 (INQUIRE ABOUT CUSTOM SIZE OR COLOR)

H 23.8" (579mm) W 33.4" (849mm) D 6.6" (168mm)



*Dimensions may vary by 2% (plus or minus) due to material attributes. Template not provided.
 The Bio Flame recommends using the actual fireplace or burner model when making final cut out.