

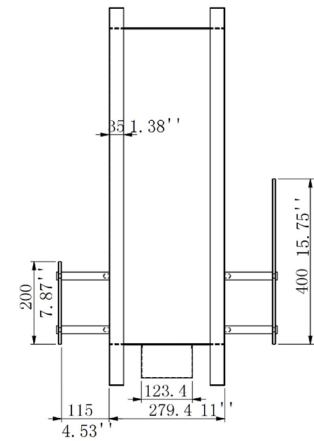
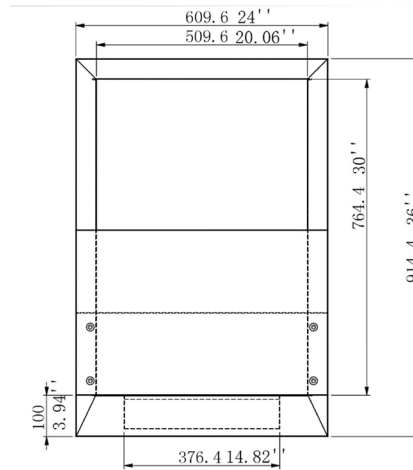


24" FIREBOX DS (DOUBLE SIDED)



- 17,000BTU – 5.0Kw/h (heats on average 69m2 or 742ft2)
- 304 Stainless Steel Firebox Construction
- Double Walled Design
- Fully Insulated
- Brushed Stainless Steel Internal Frame
- 8mm Tempered Glass On Both Sides
- 16" Burner
- 3 Year Warranty

H 36.0" (914mm) W 24.0" (610mm) D 11.0" (279mm)



*Dimensions may vary by 2% (plus or minus) due to material attributes. Template not provided.
The Bio Flame recommends using the actual fireplace or burner model when making final cut out.